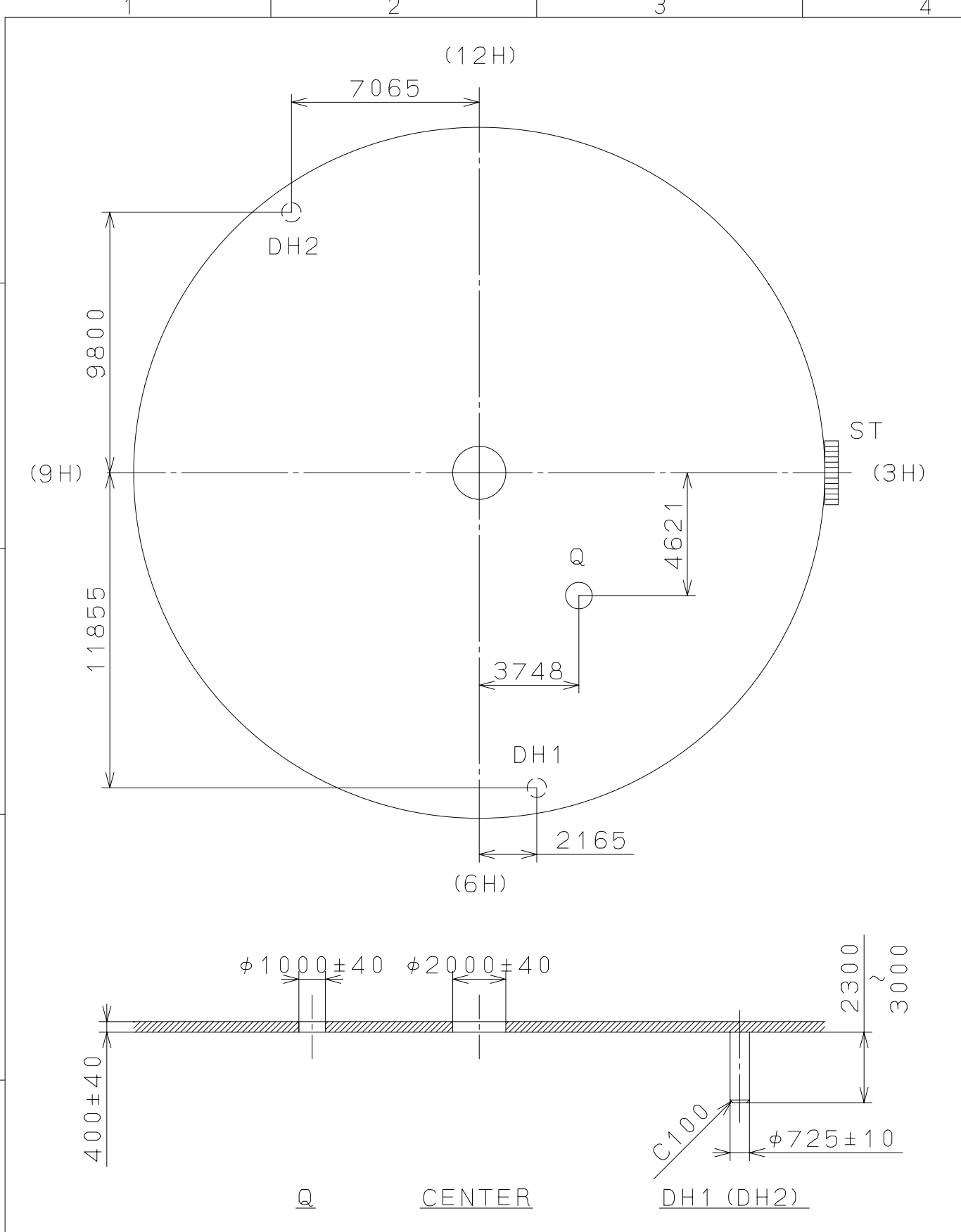


△	Quantity	
△	Unit	1/1000mm
△	Scale	7 : 1
△	Date	
△	Drawn	
△	Checked	
△	Approved	N. Suzuki
△	Alterations	
△	Date	
△	Description	
△	Mark	
△	Material	
△	Heat Treatment	
△	Hardness	
△	Plating	
	General Tolerances	
	Dimensions	
	Angles	
Name:		Frame for Case
Drawing No.:		8245C012
Cal. NO.:		8245
Parts No.:		

2007/09/03 (07:49:48)

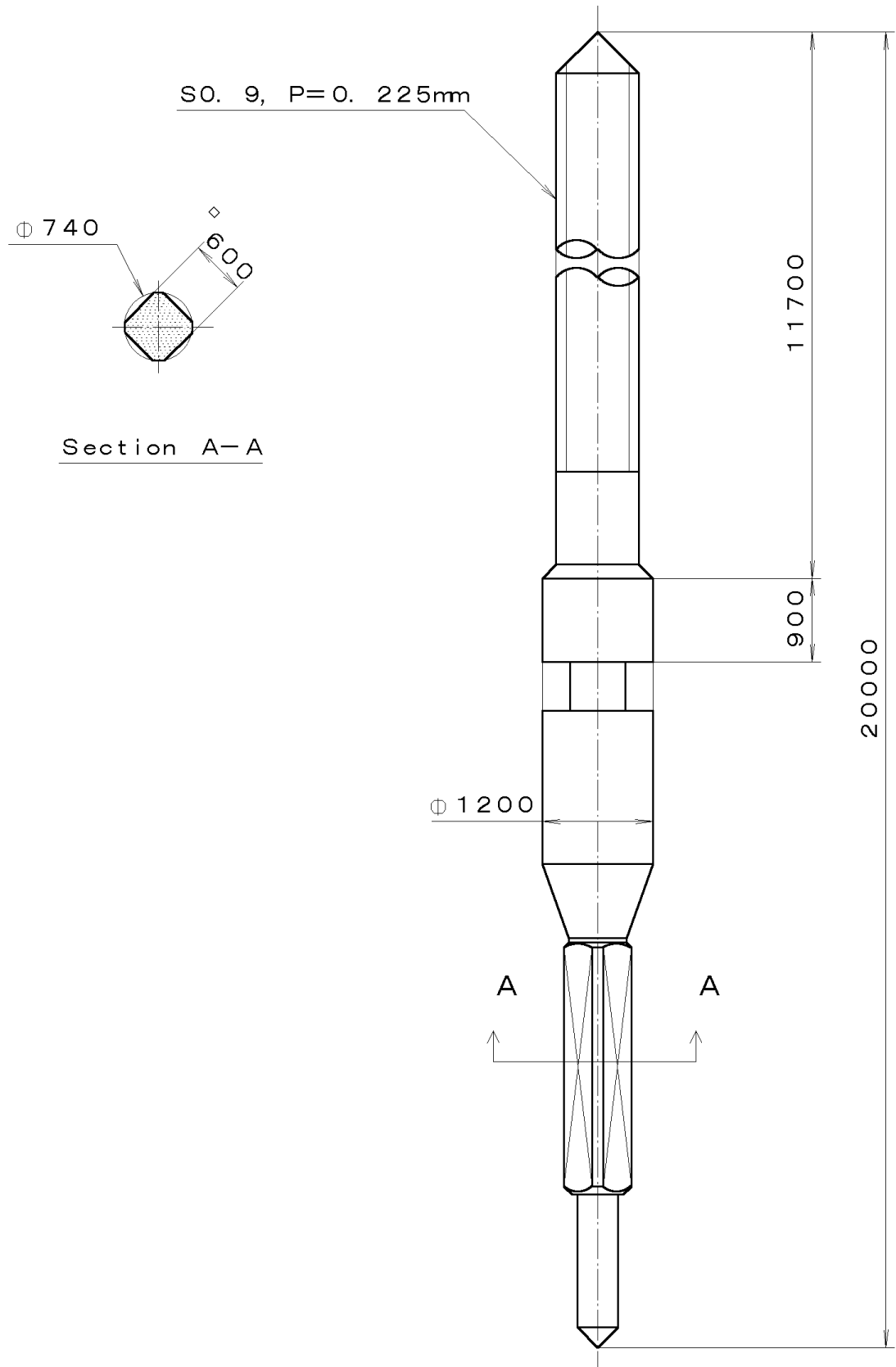
This drawing is provisional and subject to our reconfirmation and/or revision without notice.



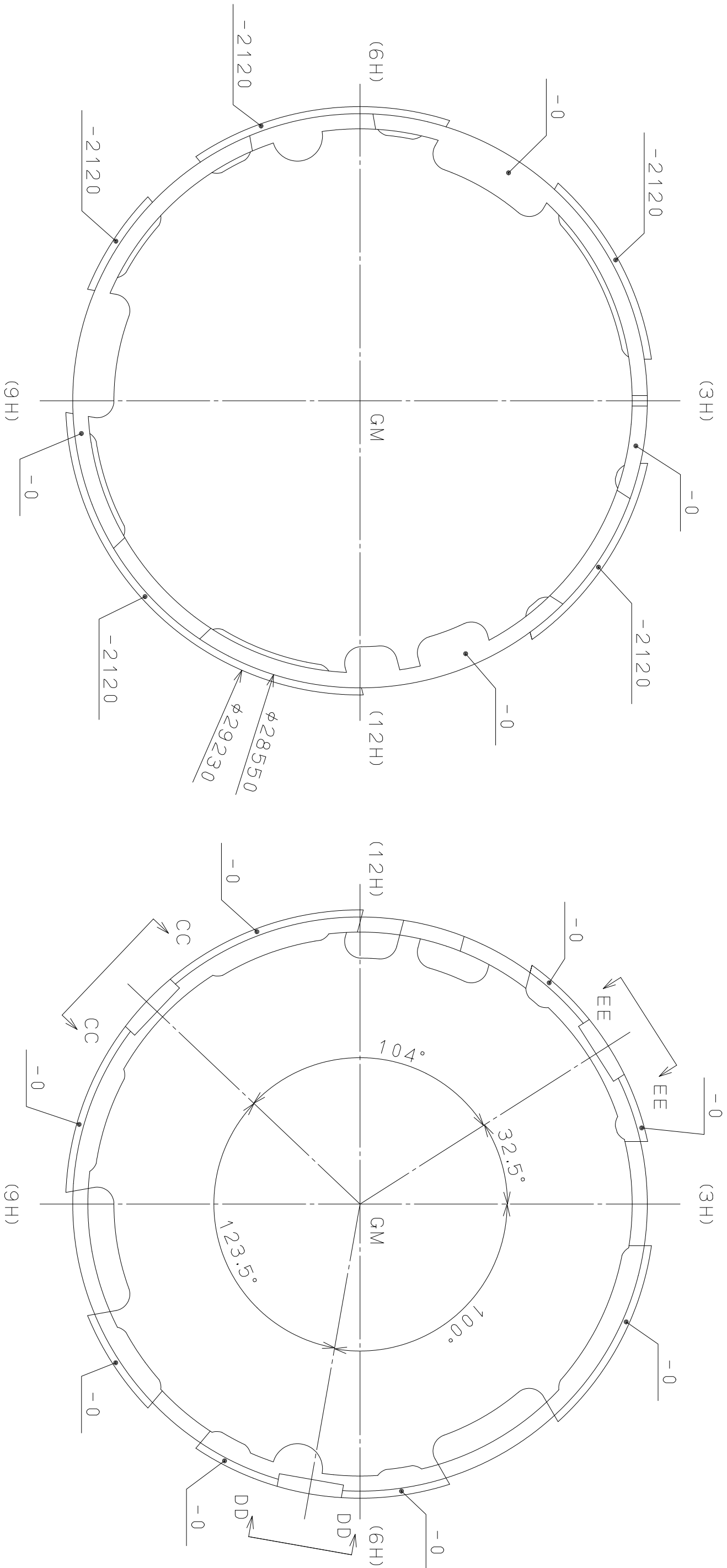
△			Quantity		Cal. NO.:
△			Unit	1 / 1000 mm	8245-21A
△			Scale	5 : 1	Parts No.:
△			Date		
△			Drawn		
Mark	Date	Description	Appr.	Checked	Name:
		Alterations		Approved	Indications for Dial
Material					Drawing No.: 8245D000
Heat Treatment				General Tolerances	MIYOTA
Hardness				Dimensions	
Plating				Angles	
					CITIZEN WATCH CO., LTD. TOKYO, JAPAN

This drawing is provisional and subject to our reconfirmation and/or revision without notice.

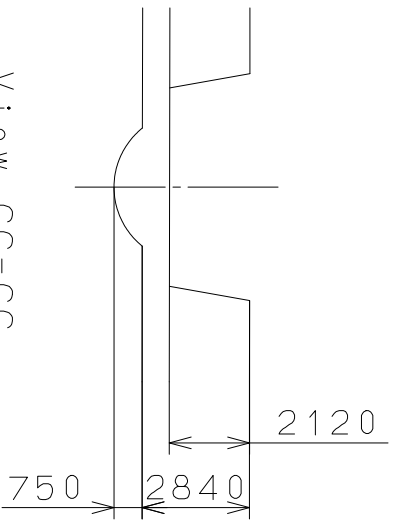
*** T I P W (01) *** (2100 1121) 00-09-18



7			Quantity		Cal. No. :
6			Unit	1/1000 mm	Parts:
5			Scale	15:1	
4			Date		Name:
3			Drawn		
2			Checked	T. Hiruta	Drawing No. : 2120S000
1			Approved		
Material					
Heat Treatment			General Tolerances		
Hardness			Dimensions		<div style="font-size: 2em; font-weight: bold; margin: 0;">CITIZEN</div> <div style="font-size: 0.8em; margin: 0;">WATCH CO., LTD.</div> <div style="font-size: 0.8em; margin: 0;">TOKYO, JAPAN</div>
Plating			Angles		



View CC-CC
DD-DD, EE-EE



△	Quantity	Cal. NO.:
△	Unit	1/1000 mm
△	Scale	5 : 1
△	Date	Parts No.:
△	Drawn	500-710
Mark	Date	Name:
Alterations	Description	Casing Holder
Material	Approved	Drawing No.: 8200E002
Heat Treatment	Checked	MIYOTA CITIZEN WATCH CO., LTD. TOKYO, JAPAN
Hardness	Dimensions	
Plating	Angles	